

II 2G Ex de IIC T5/T4 Gb
II 2D Ex tb IIIC T135°C Db

REMATIC, DMS3,
24 V DC (2P)
(3P)
PROFIBUS DP V0/V1 MODBUS RTU.
LED (RS-232).
a a
« - ».



DMS3

- 3x380 VAC
- T
- a 60 % 100 %
- ()
- ()
- 2 7 R1, R2, RE1...RE 5 (18)
- READY
- - 0/4 - 20 mA, 4 - 12 mA, 12 - 20 mA 0/2 - 10 V
- 24 V DC - , ,
- 24 V DC - , ,
- ESD ()
- - 4 - 20 mA a ()
- 24 V DC, 40
- (, , .)
- LED
- RS 232
- IP 66
- DMS3
- PROFIBUS DP V0/V1
- MODBUS RTU

MTR 3PA-Ex

509.	x	-	x	x	x	x	x	/	x	x
------	---	---	---	---	---	---	---	---	---	---

15150	3.1	60721-2-1	(R)+WDr, MWDr, EWDr	-20°C	+60°C	C3	T4	IP 66	1
					C4	2			
			(M)	-50°C	+40°C	C3	T5		3
				-20°C	+60°C		T4		6
			(WW)	-50°C	+40°C	C4	T5		7

	c	c	50 Hz	Y/D 400/230 V AC	Z501b; Z556b; Z557b; Z571	2	
				Y/D 380/220 V AC		N	
				Y/D 400/230 V AC	Z501c; Z556c; Z557c; Z571a	E	
				Y/D 380/220 V AC		F	
				50 Hz	230 V AC	Z572; Z572a; Z572b	9
							220 V AC
		Z574; Z571c					

31)	32)	33)	3x400 (380) V, 50Hz			35)	
			«	»			
12.5 kN	7.5 kN	5,0 kN	50 mm/min	250 W	1 355 min ⁻¹	0.42 A	B
			80 mm/min				C
			125 mm/min				D
25.0 kN	15.0 kN	10.0 kN	50 mm/min	250 W	1 355 min ⁻¹	0.42 A	F
			80 mm/min				G
			125 mm/min				H
36.0 kN ³⁶⁾	21.5 kN	-	80 mm/min	370 W	1 370 min ⁻¹	1.06 A	J
			125 mm/min				K
			180 mm/min				L
230 V, 50Hz							
20.0 kN	12.0 kN	8.0 kN	32 mm/min	60 W	-	0.70 A	A
			50 mm/min				B
16.0 kN	9.6 kN	6.4 kN	63 mm/min	60 W	-	0.70 A	M
12.5 kN	7.5 kN	5.0 kN	80 mm/min				C
8.0 kN	4.8 kN	3.2 kN	125 mm/min				D

10	10 - 100 mm	-	D
	10 - 100 mm	LCD ⁴¹⁾	Z473a

DMS3	2P	24 V DC	, ,	-	Z557b; Z557c; Z572b	F	
	3P/2P	0/4 - 20 mA	24 V DC	4 - 20 mA	Z501b; Z501c; Z572	G	
		0/2 - 10 V	, ,		Z556b; Z556c; Z572a	H	
DMS3 M1	/2P	MODBUS RTU	, ,	24 V DC	-	Z571; Z571a; Z574, Z571c; Z500e	M
DMS3 M2							N
DMS3 P1							P
DMS3 P2							R

MTR 3PA-Ex

509. x - x x x x x x / x x

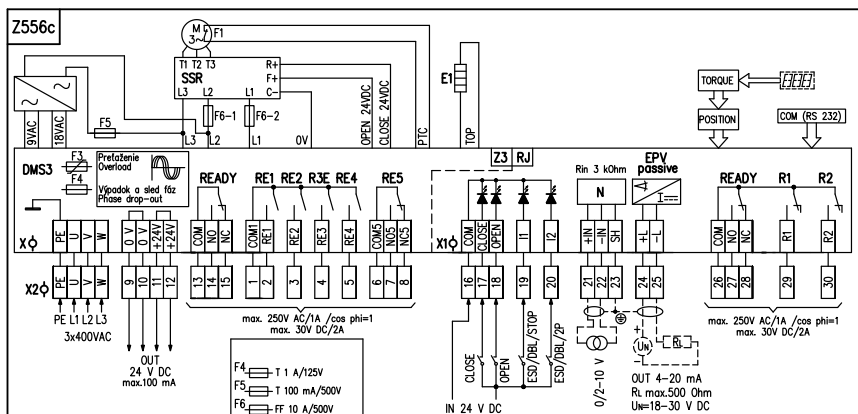
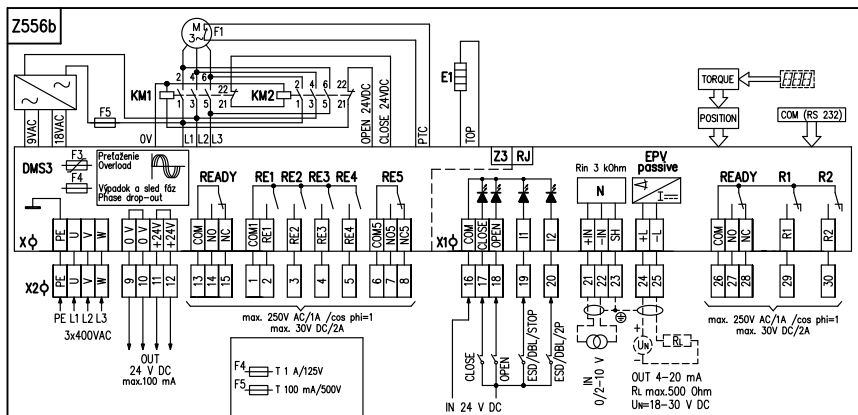
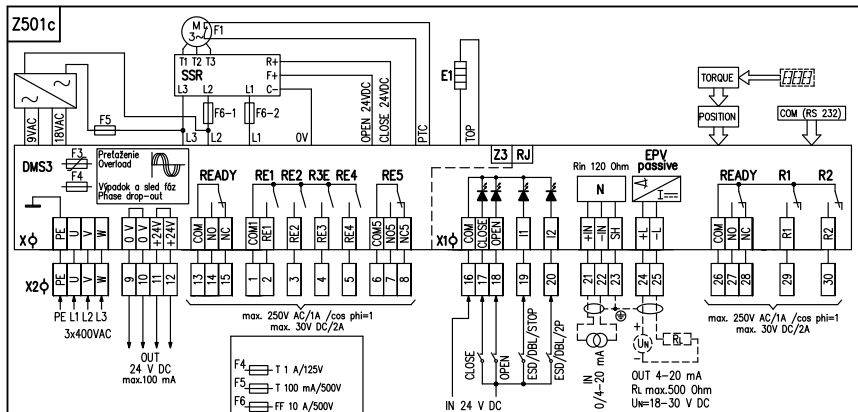
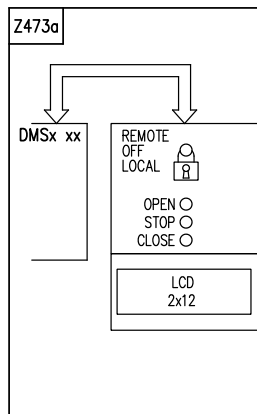
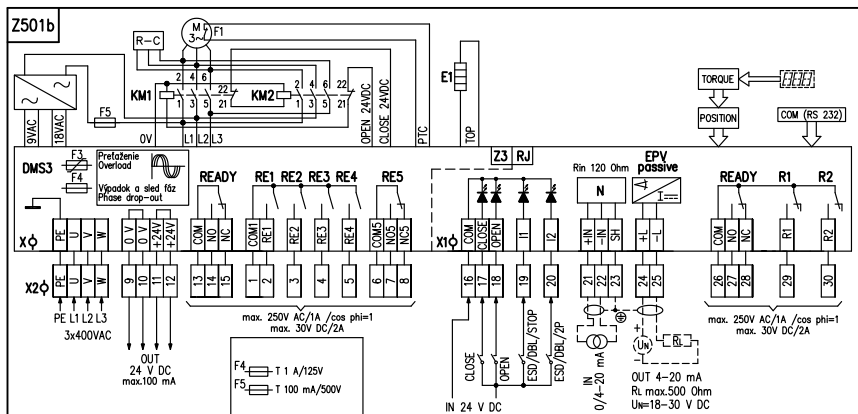
	/ /	62)	25 kN		25 - 36 kN	
	30/100/-	M20x1,5	P-2085/A	P-2085/A	-	A
	74/100/-		P-2085/B	P-2085/B	-	B
	130/100/-	M16x1,5	P-2085/C	P-2085/C	-	C
	50/40/-	M14x2	-	P-2085/D	-	D
	60/60/-		-	P-2085/E	P-2087	E
4	112/100/ø80 H8	M10x1 61)	P-2086/A	P-2086/A	-	L
	110/100/ø65,15 H7		P-2086/B	P-2086/B	-	M
	-	7/8-UN-9	-	-	-	-
	-	1.1/8" UNC	-	-	-	-
	-		-	-	-	-
	-	1.1/2" UNC	-	-	-	-

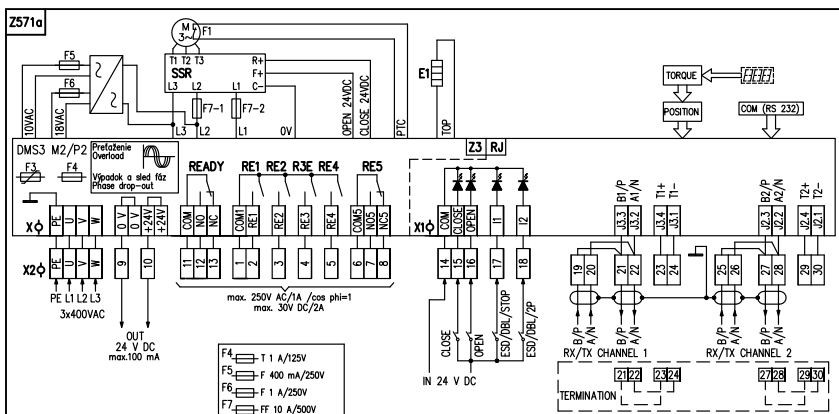
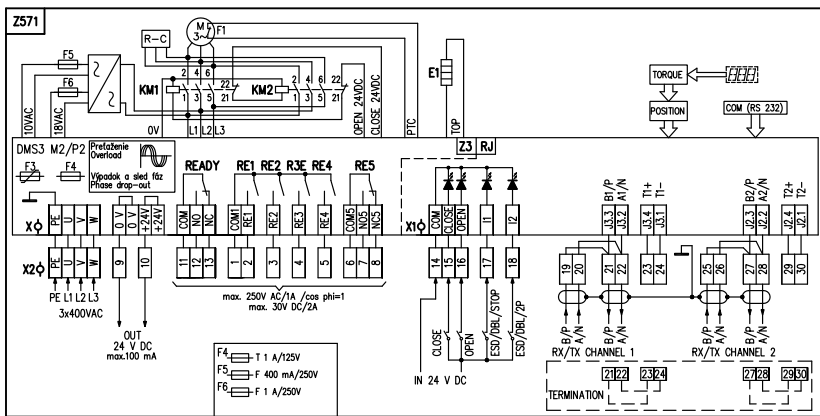
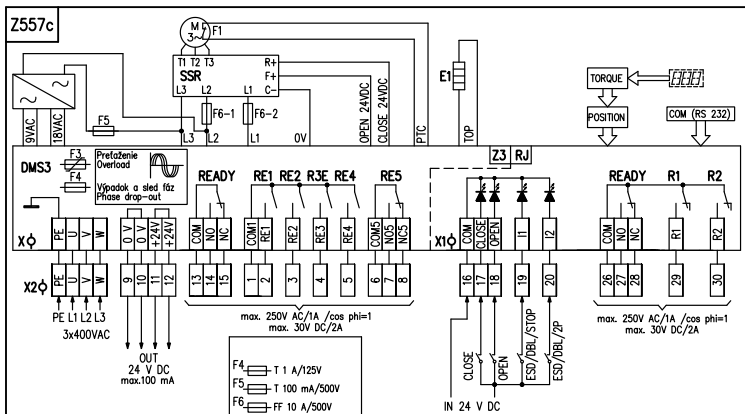
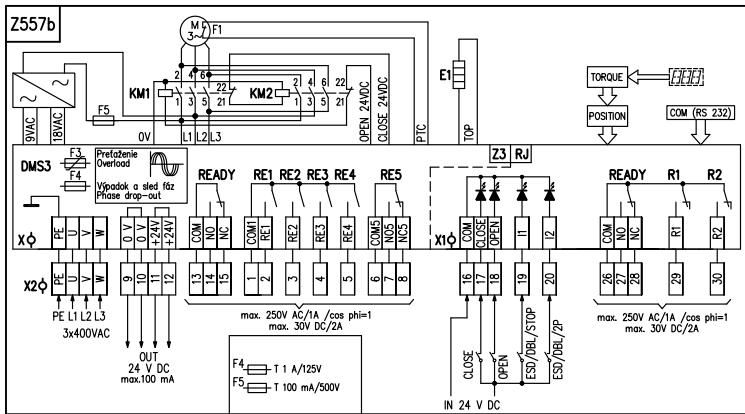
/			
		, 20	
A			0 1
B			0 3
	RE1, RE2, RE3, RE4, RE5, READY (DMS3 RE6) y	220 (230 V) AC	Z500b 0 5
		: A+B=20	

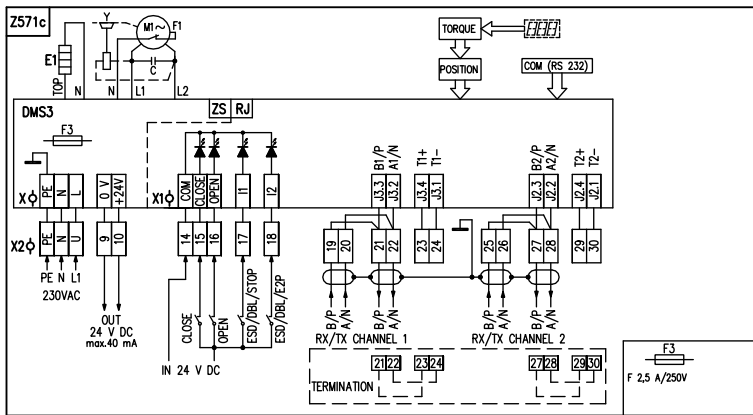
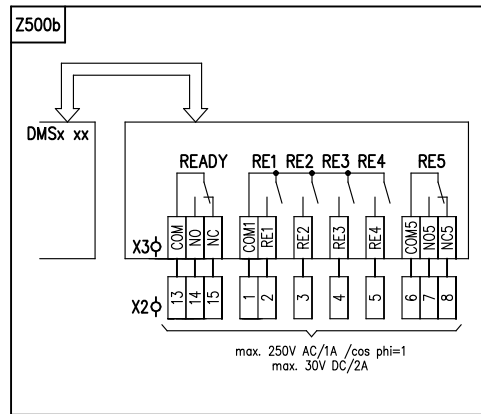
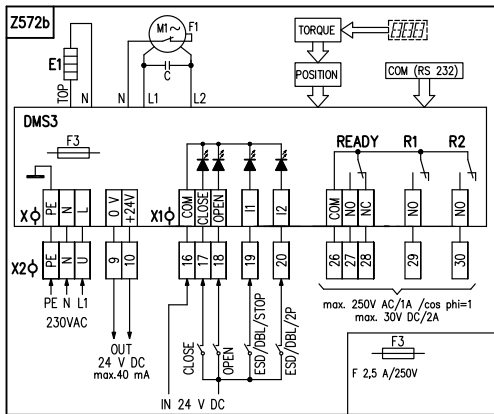
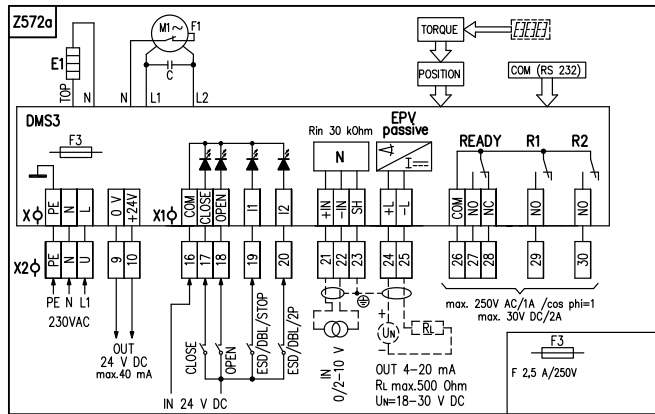
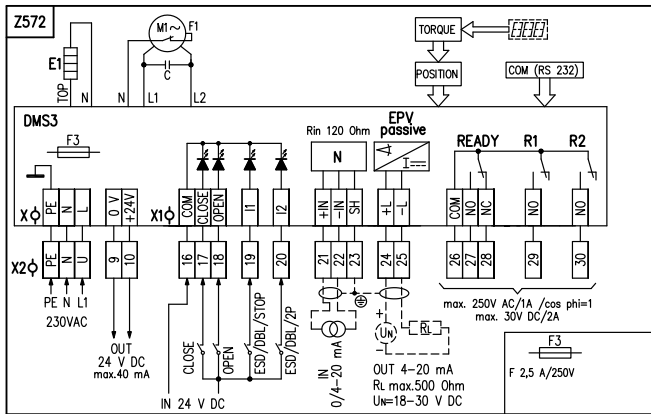
DB-9F/RJ45 DMS3	224 A80 100
-----------------	-------------

- 10) :
- 31) « » .2. 60 100%.
- 32) S2-15 a S4-25% 90 /
- 33) S4-25%, 90 - 1200 /
- 35) 3x400 VAC.
- 36) 25 - 36 kN, 80mm.
- 41) LCD -25°C
- 61) 25 kN.
- 62)

MTR 3PA-Ex







1	2	3	4	5	6	7	8	9	10	11	12	13	14	15	16	17	18	19	20	21	22	23	24	25	26	27	28	29	30	31	32	33	34	
COM	NO	NC	COM1	RE1	RE2	RE3	RE4	COM5	NO5	NC5	COM	NO	NC	COM	NO	NC	COM	NO	NC	COM	NO	NC	COM	NO	NC	COM	NO	NC	COM	NO	NC	COM	NO	NC

PE, U, V, W	(0,05 - 2,5 mm ²)	(3x400 / 3x380 V AC, 50 Hz)
0V, +24V	2	24 V DC (100 mA)
COM, CLOSE, OPEN, I1, I2	(0,05 - 1 mm ²)	24 V DC
+IN, -IN, SH	(0,05 - 1 mm ²)	0/4-20 mA
+L, -L	(0,05 - 1 mm ²)	() 4-20 mA
COM, NO, NC	(0,05 - 1,5 mm ²)	READY ()
R1, R2	(0,05 - 1,5 mm ²)	R1, R2 ()
COM, NO, NC	(0,05 - 1,5 mm ²)	READY ()
COM1, RE1, RE2, RE3, RE4	(0,05 - 1,5 mm ²)	RE1 RE4 ()
COM5, NO, NC	(0,05 - 1,5 mm ²)	RE5 ()

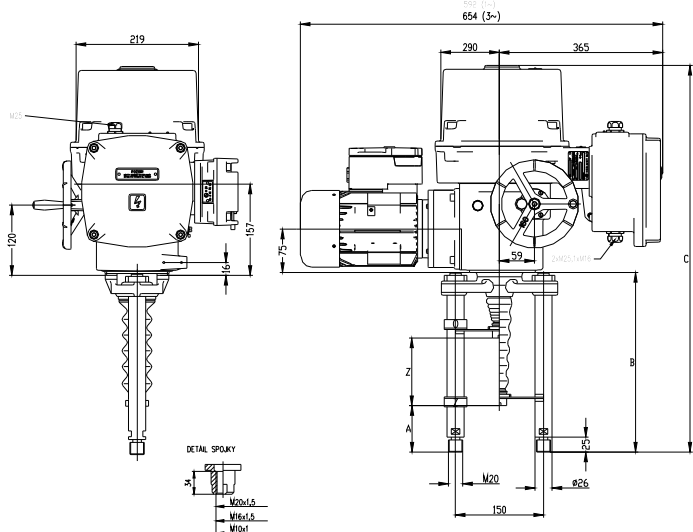
READY

R 1 R 2

READY

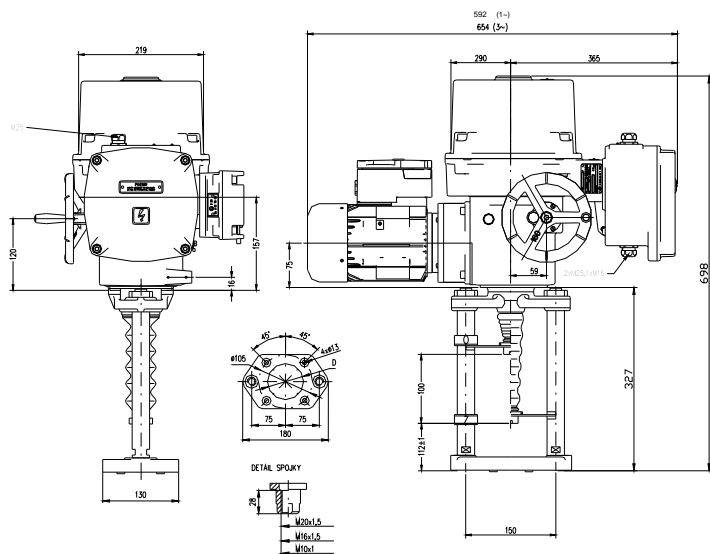
R1 R2

MTR 3PA-Ex



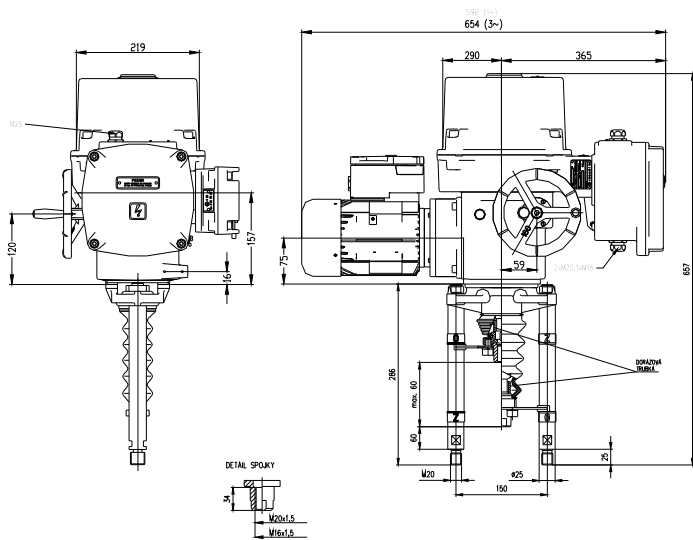
P-2085/E	60	276	523	60
P-2085/D	50	276	523	40
P-2085/C	130	400	667	100
P-2085/B	74	320	587	100
P-2085/A	30	276	543	100
	A	B	C	Z

P-2085



P-2086/B	Ø65.15 H7
P-2086/A	Ø80 H8
	d

P-2086



P-2087